

## Is Your Heating System Dysfunctional?

Maybe it is time to upgrade to a well-adjusted heat pump.

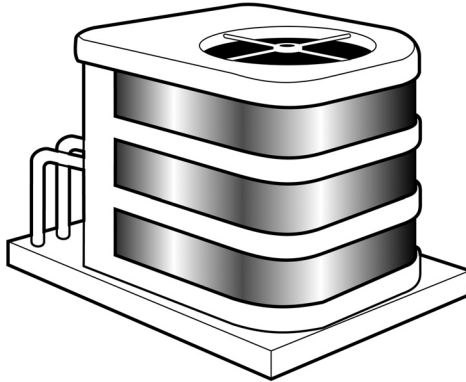
Properly sized and installed heat pumps can reduce home heating costs by 30 to 50 percent compared to electric furnaces.

Klickitat PUD (KPUD) is offering up to a \$500 rebate along with a 4.9-percent loan program for customers who want to upgrade or change to a heat pump from another source of electric heat.

A well-heated and insulated home is more comfortable. Call today for a list of authorized heat pump contractors.

Here is another good idea for improving efficiency and money savings:

Change out your old single-pane windows to the new energy-efficient low-E vinyl type windows. You not only keep more of your



heat inside in the winter, but the windows will block more heat from entering your home in the summer. That means less air conditioning is needed for comfort.

If you are a KPUD customer, you could be eligible for a rebate to replace your windows.

These are only a couple of the rebates available. We also offer

insulation, duct sealing, clothes washer and solar rebates. If you are thinking of improving the energy efficiency of your house, now is the time to get started.

The current rebate program ends September 30, 2006, and may end sooner if we run out of credits before then. When the credits get close to running out, we will let you know and announce an approximate date for the end of the program.

The Bonneville Power Administration is offering a new program, but is concentrating more on commercial and industrial incentives, so this may be the last chance for residential incentives.

Don't delay. Make your home more efficient and more comfortable for years to come. Contact Miquette Ihrig in the Energy Services department at 773-7622

## Annual KPUD Irrigators' Meetings Scheduled

KPUD's annual irrigators' report will be presented at the Central and Eastern Klickitat Conservation District's annual meetings. The dates and locations are:

- February 16: Bickleton Grange (Eastern District)
- February 23: Goldendale Grange (Central District)

KPUD is on the conservation district's agenda at 9:15 a.m. at both of the annual meetings.

Topics of discussion will include the White Creek Wind Project and summer spill.

If you have any questions, please contact Kathy at KPUD, (509) 773-7606. ■

